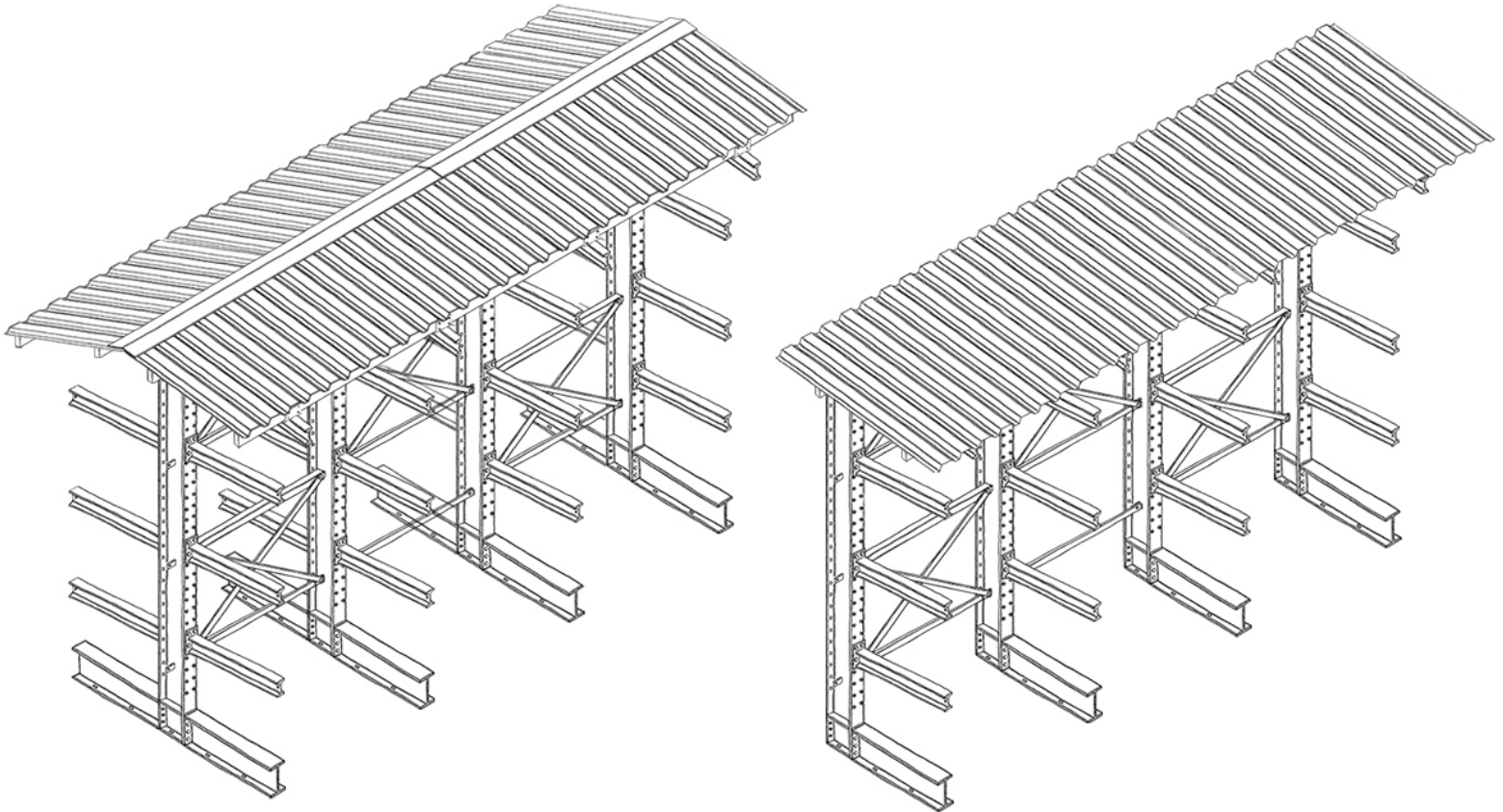


INSTALLATION MANUAL

For the most current release of this manual,
please visit our website at cogan.com

V.2016.1



Product	Racking
Sub-product	Cantilever Rack Roofing System

- Easy to install on either single or double sided racking units
- Galvanized finish for a durable product.
- Always refer to the installation drawings and specific installation instructions included with your project.



A Tradition of Quality Since 1901

cogan.com

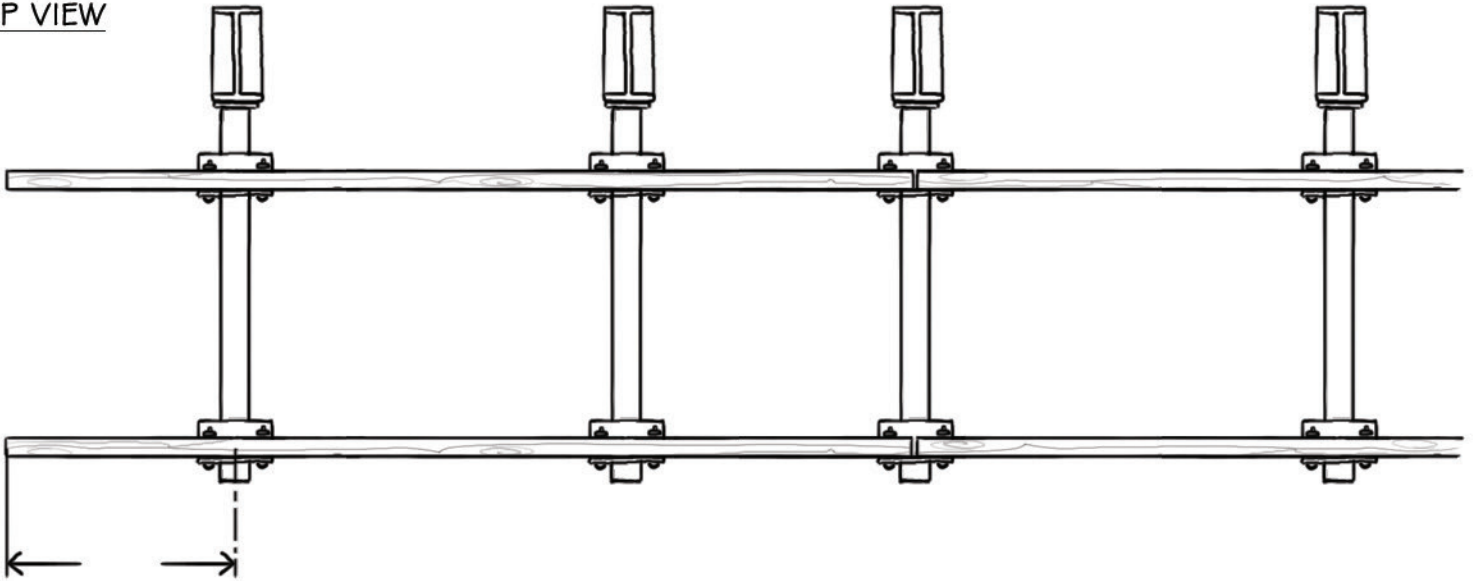
STEP 1
WOOD BEAM

For smaller column spacing, you may use continuous wood beam to cover more than one span. When column spacing is too wide to use a continuous beam, cut the wood beam so it's centered on the welded bracket. Always have the beam sitting on top of the bracket.

***** ALWAYS USE A CONTINUOUS BEAM AT THE END OF EACH CANTILEVER ROW FOR A STURDIER ROOF INSTALLATION.**

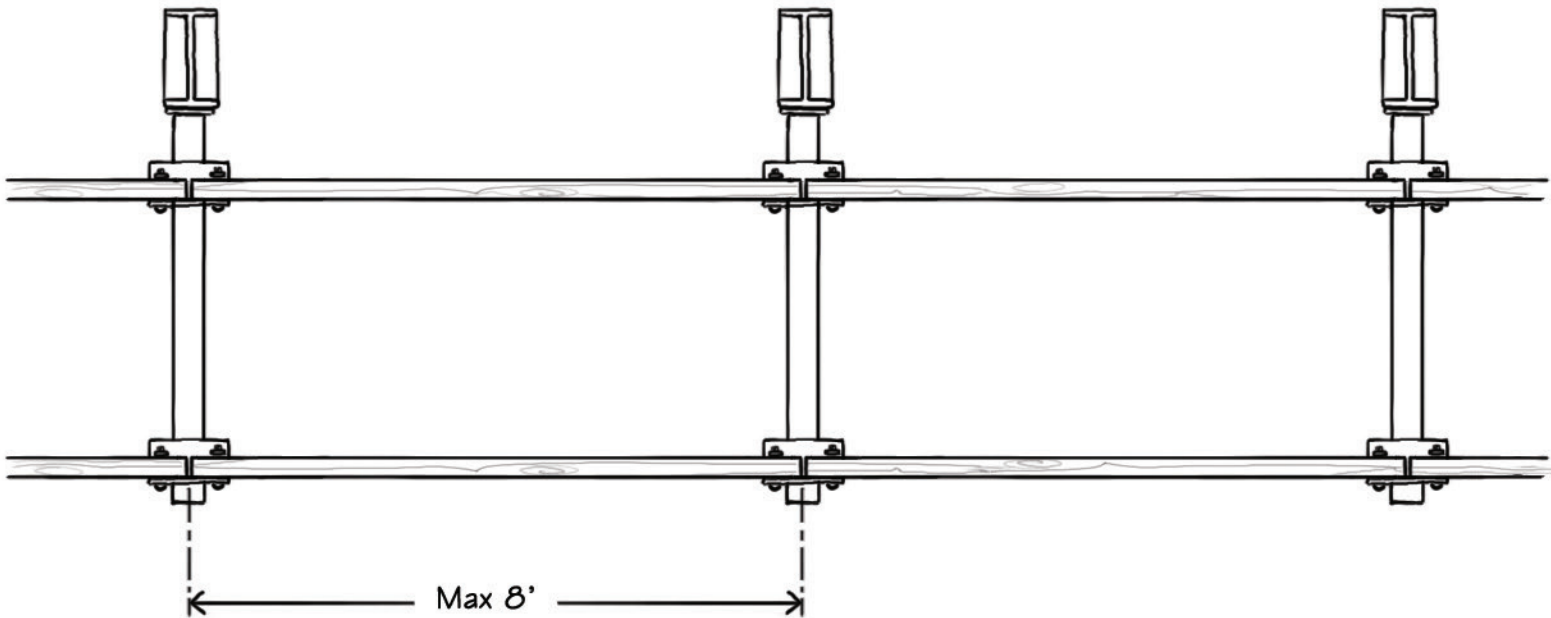
***** REFER TO THE APPROVAL DRAWINGS FOR WOOD BEAM DIMENSION AND LENGTH.**

TOP VIEW



1/2 THE SPAN BESIDE, TO A MAXIMUM OF 24"

Complete each cantilever rack row by extending a continuous wood beam on both end.



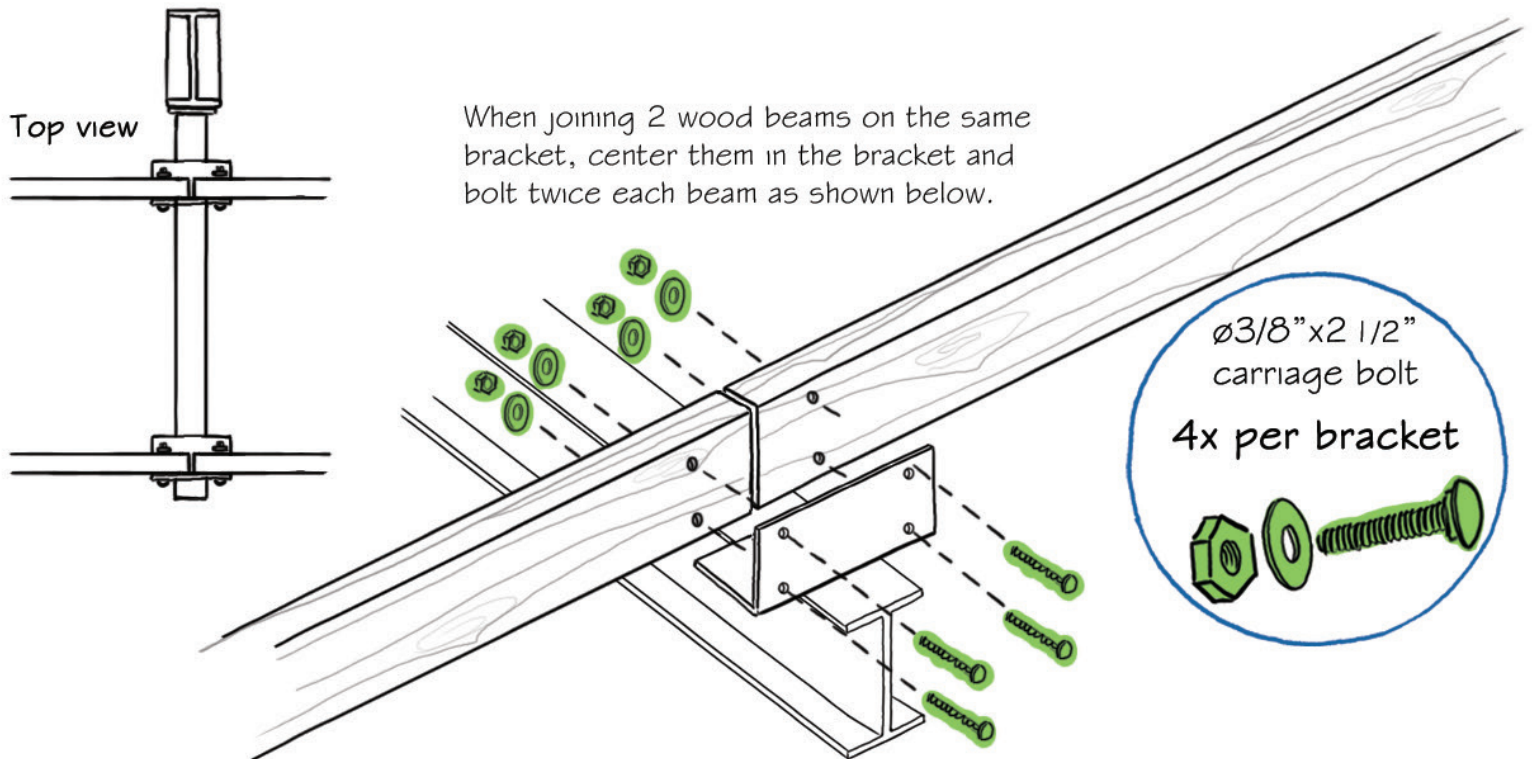
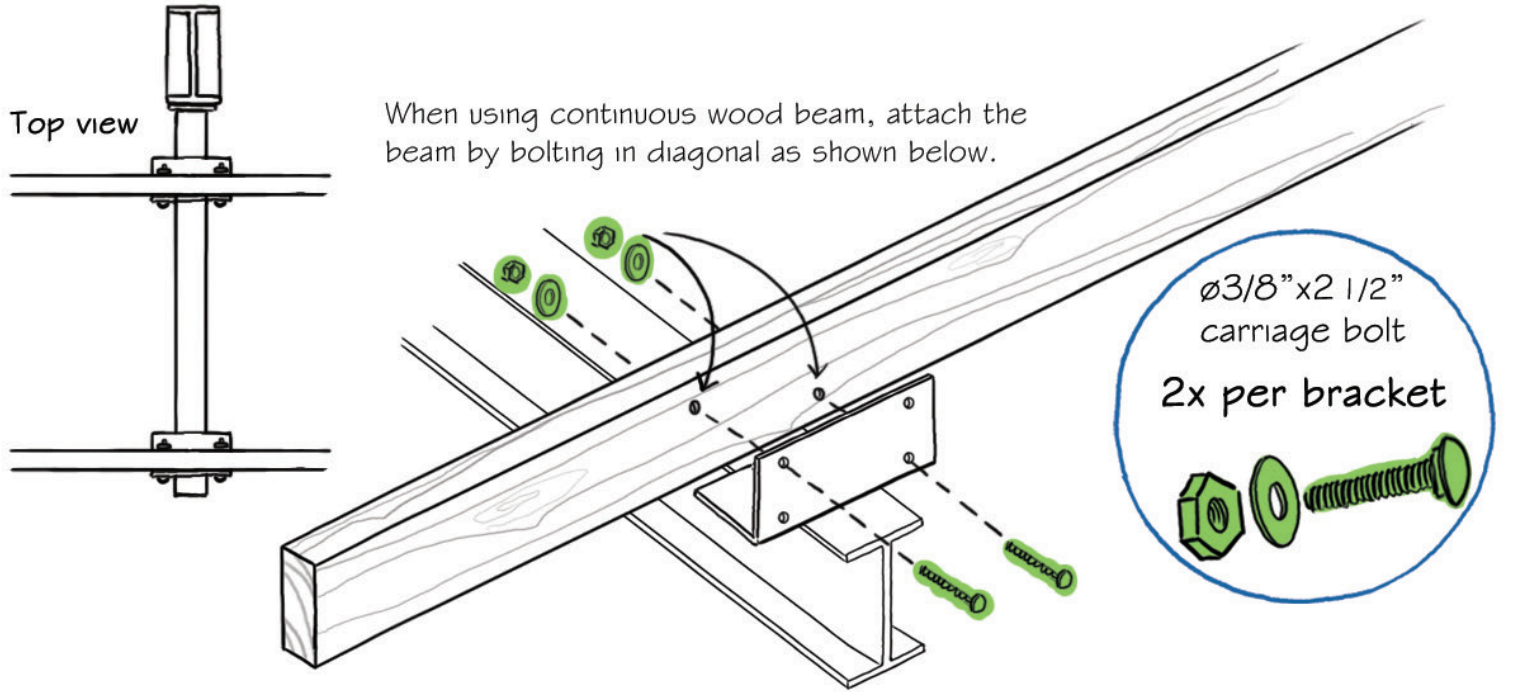
Max 8'
If wider than 8', contact a Cogan representative at 1-800-567-2642

STEP 1a

WOOD BEAM

Drill holes in the wood prior to bolting the beam to the welded bracket.

*** REFER TO THE APPROVAL DRAWINGS FOR WOOD BEAM DIMENSION AND LENGTH.



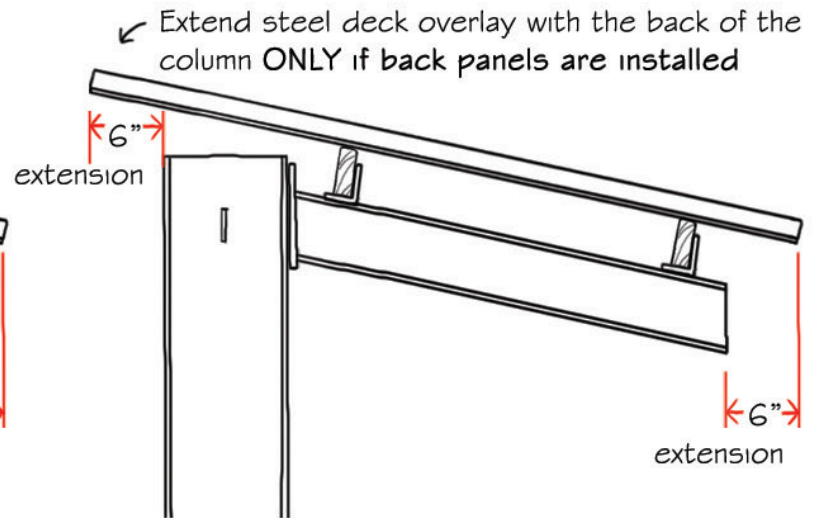
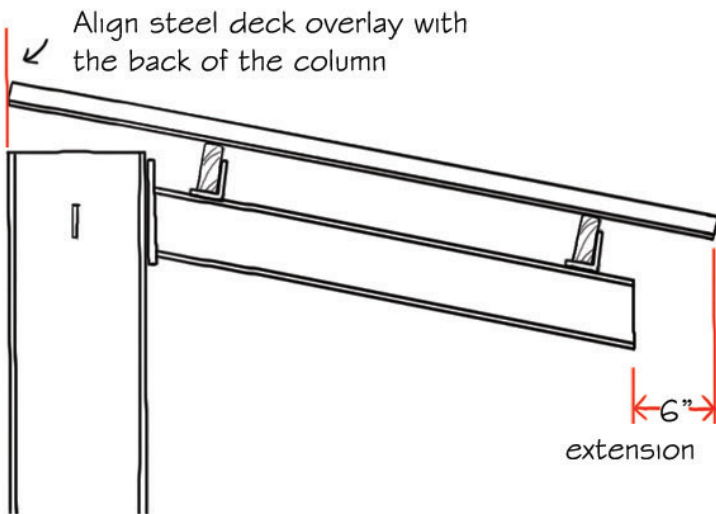
STEP 2

STEEL DECK OVERLAY

Lay the steel deck on top of the wood beam. Follow the instructions below for single and double sided cantilever rack column.

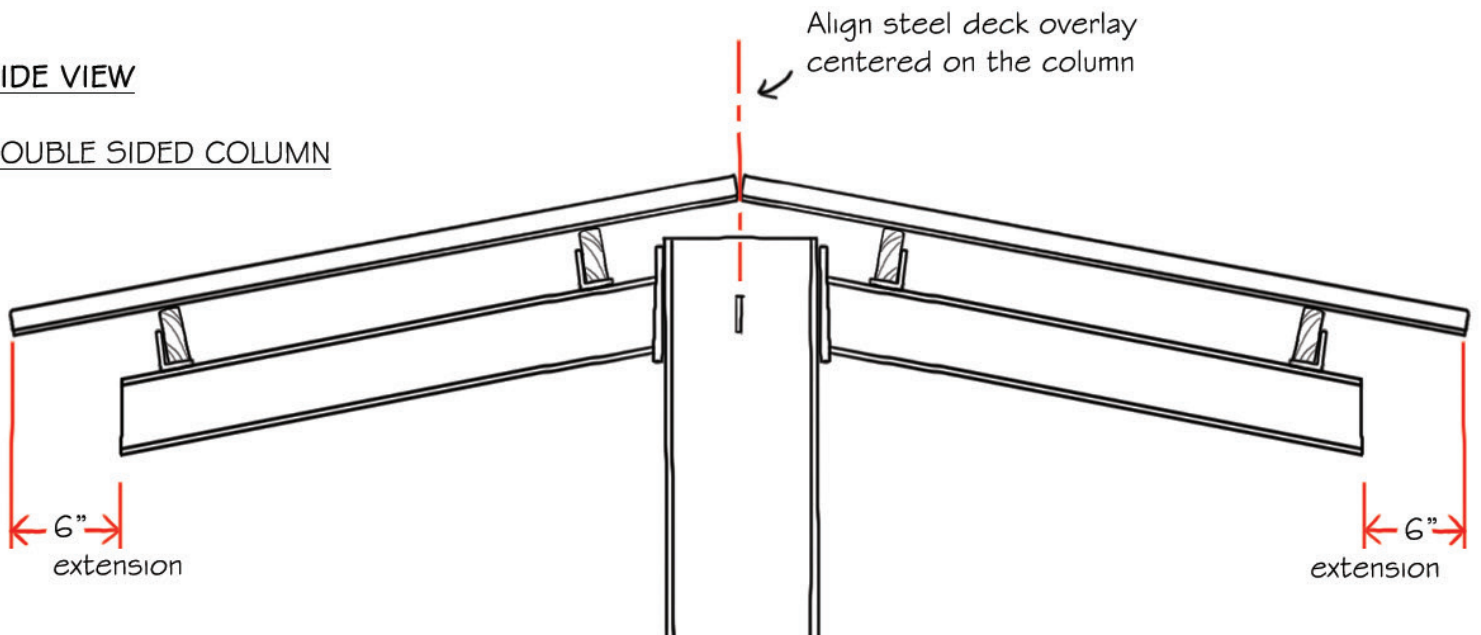
SIDE VIEW

SINGLE SIDED COLUMN



SIDE VIEW

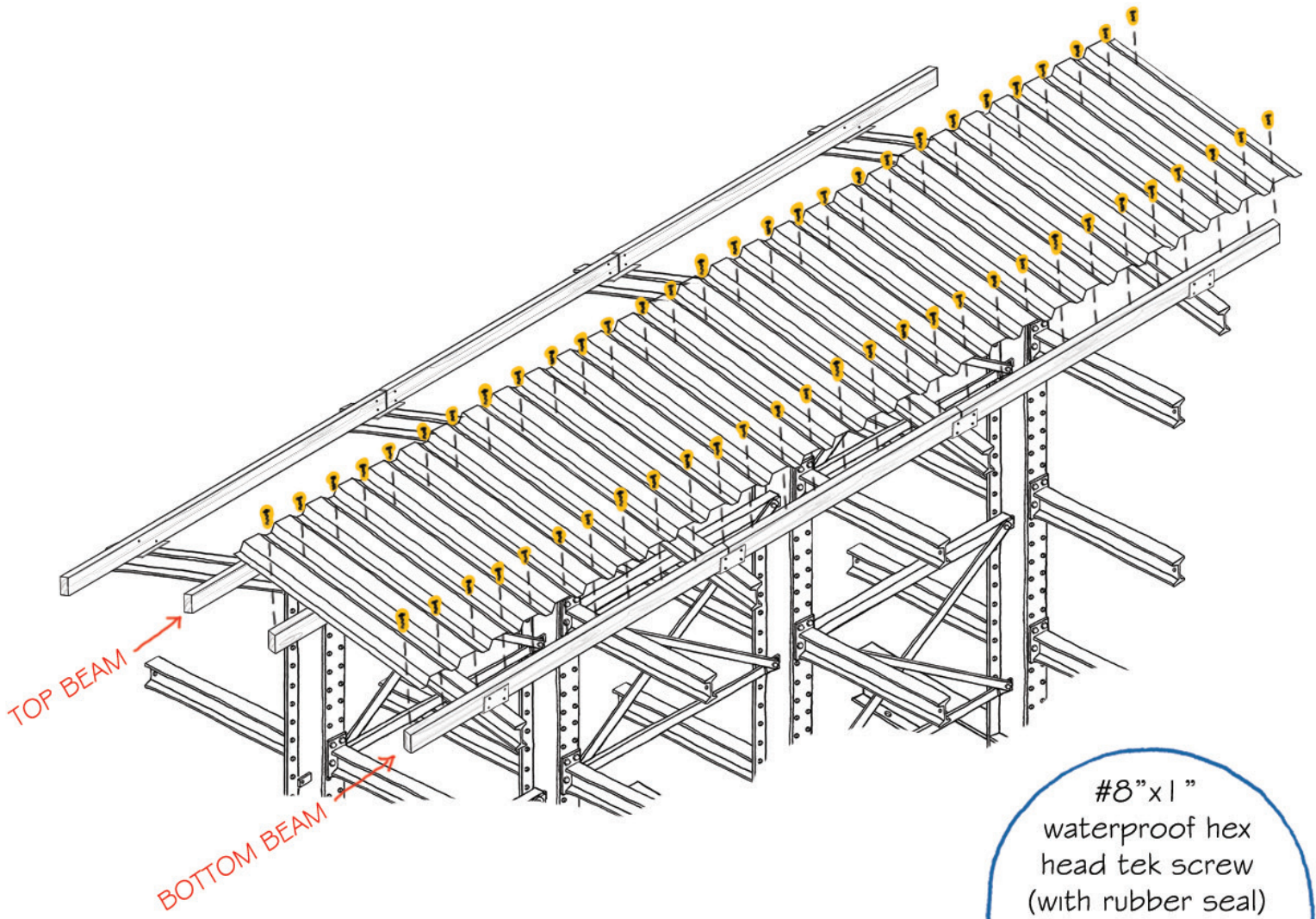
DOUBLE SIDED COLUMN



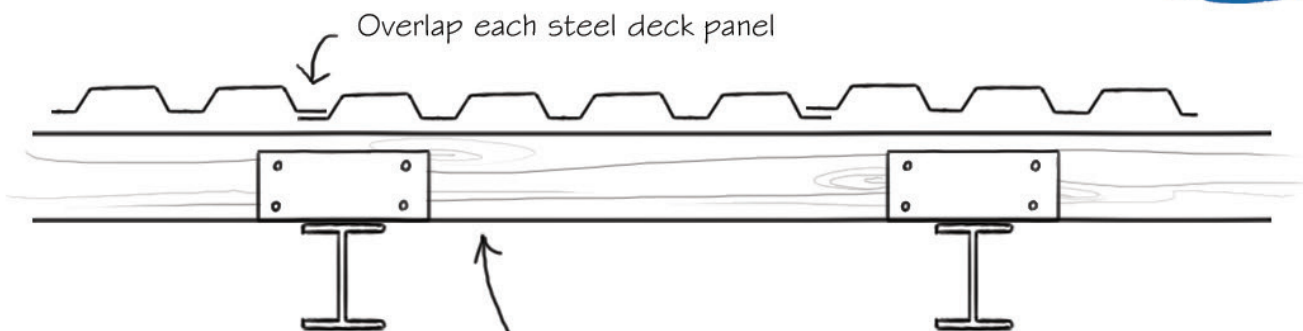
STEP 2a

STEEL DECK OVERLAY

Screw the steel deck overlay to each wood beam using waterproof hex head tek screw.



#8"x1"
waterproof hex
head tek screw
(with rubber seal)



Overlap each steel deck panel

For the top and bottom wood beam:
to be tek screwed at every 6"

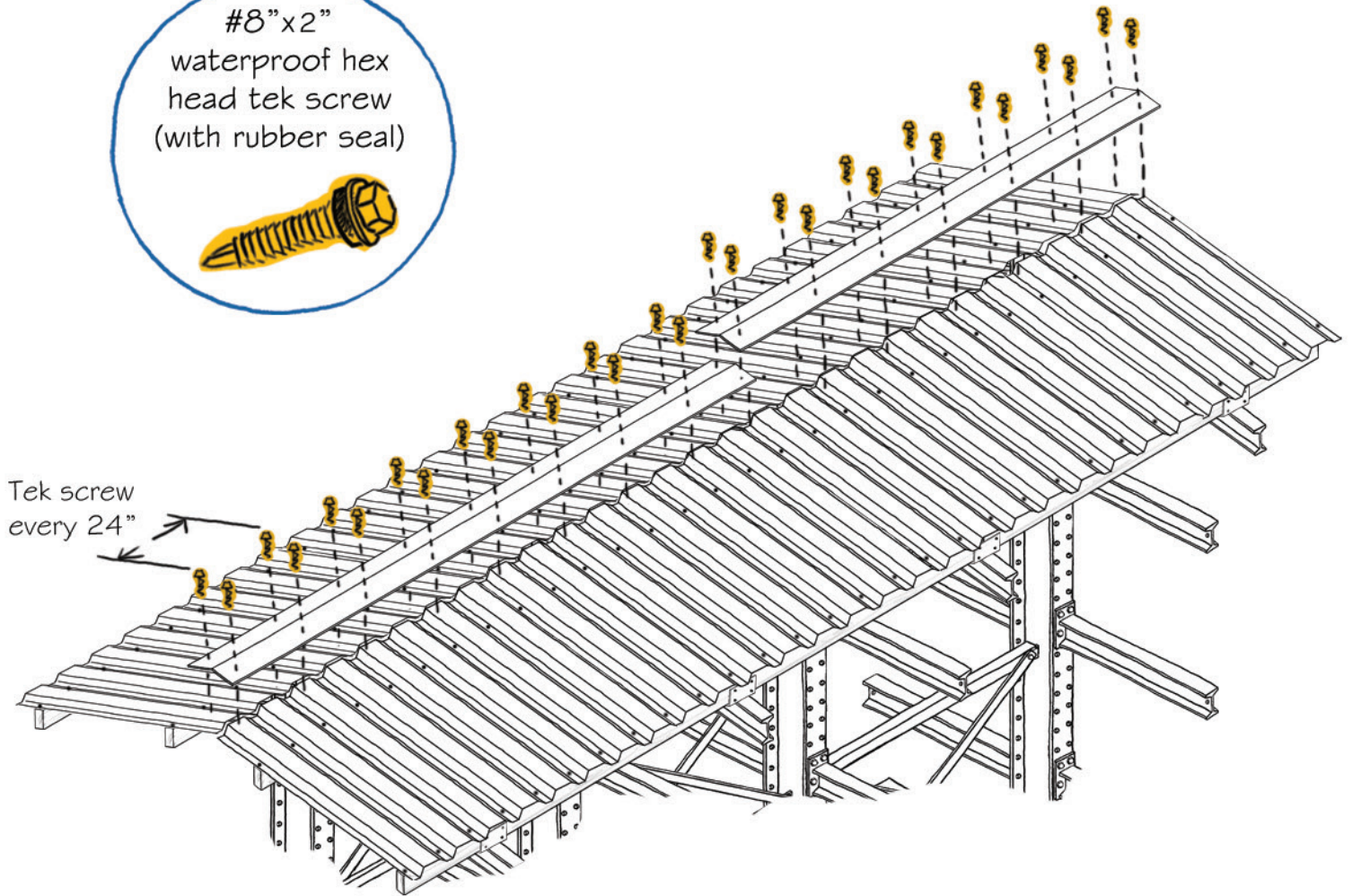
For the wood beams between the top
and bottom beam: to be tek screwed at every 12"

STEP 3

ROOF TOP ANGLE (DOUBLE SIDED ONLY)

Screw the top angle over the steel deck overlay using waterproof hex head tek screw.

#8"x2"
waterproof hex
head tek screw
(with rubber seal)



Tek screw
every 24"

Always overlap the roof top angle
when using more than one length

